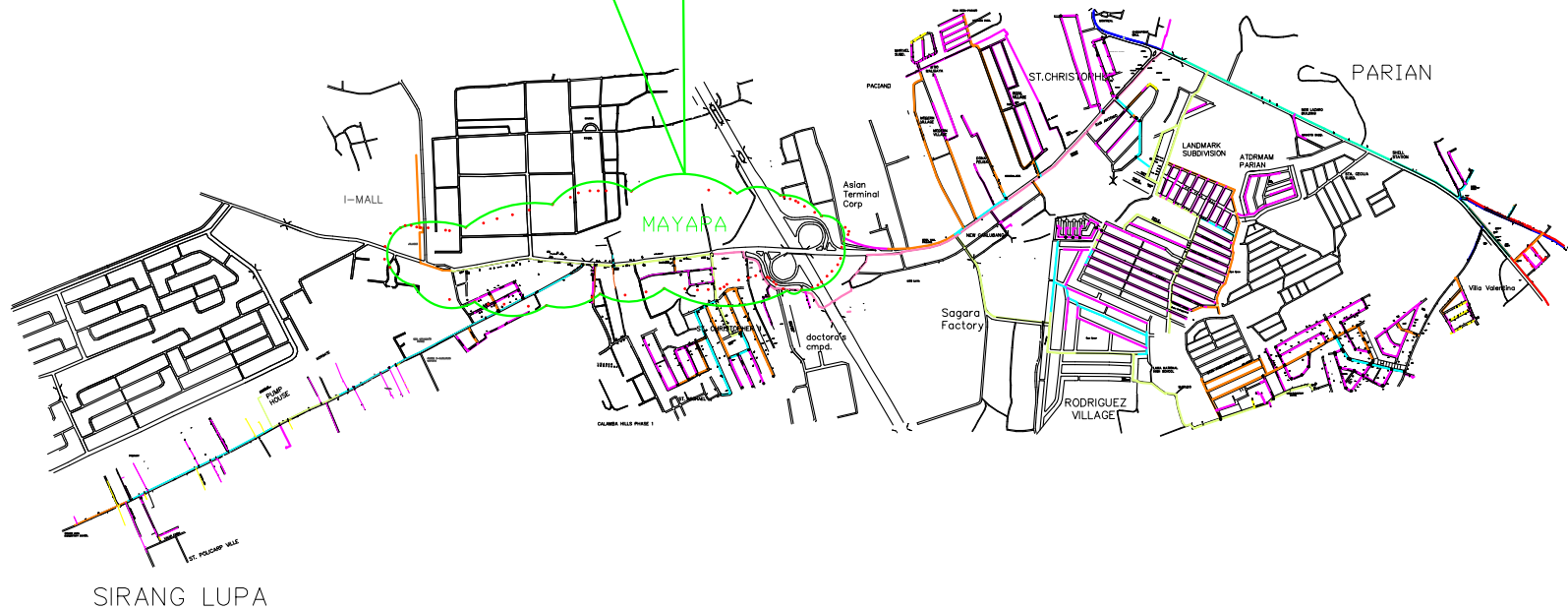


LOCATION SITE



LOCATION PLAN
SCALE NTS



CALAMBA WATER DISTRICT
ENGINEERING DEPARTMENT
PLANNING AND DESIGN DIVISION

LAKEVIEW SUBD., HALANG, CALAMBA CITY

PROJECT TITLE:
WATER DISTRIBUTION SYSTEM
LOCATION:
Brgy Mayapa, Calamba City

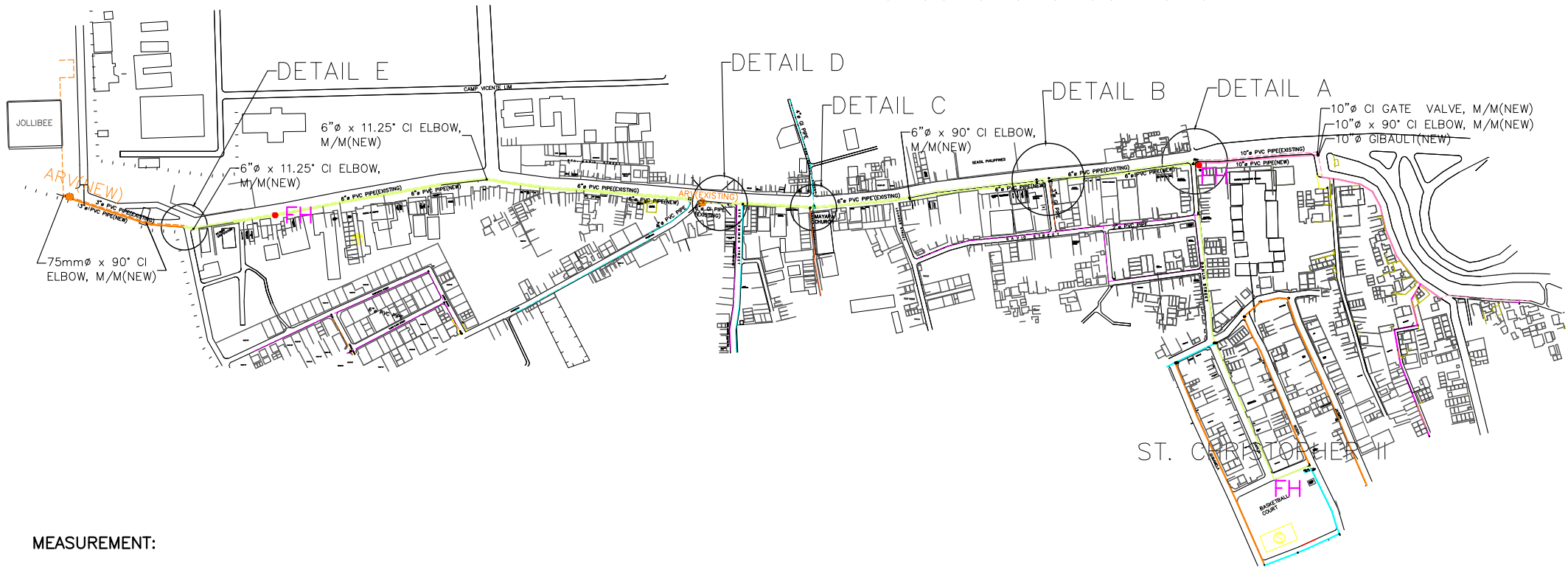
AUTOCAD BY: MR. FERNANDO H. ARELLANO JR.
DESIGNED BY: MR. FERNANDO H. ARELLANO JR.
CHECKED BY: ENGR. RENANTE A. CAPITILE
RECOMMENDED BY: ENGR. JOSELITO A. GILLERA
APPROVED BY: MR. EXEQUIEL A. AGUILAR JR.

SHEET CONTENTS:
AS INDICATED
ABOVE

DATE:
4-22-2021
SHEET NO.
MWDS - 1

This design or drawing is the sole property of Calamba Water District. No part of this design or drawing may be reproduced or transmitted in any form or by any means without the written consent of its owner.

MAYAPA



MEASUREMENT:

- 250mm PVC PIPE(115.42 LM EST.)
- 150mm PVC PIPE(896.76 LM EST.)
- 100mm PVC PIPE(4.0 LM EST.)
- 75mm PVC PIPE(110.59 LM EST.)

- EXISTING LINE.
- NEW LINE.

WATER DISTRIBUTION LINE

SCALE 1 : 500

NOTES:

1. ALL SIZES AND LOCATION SUBJECT TO CHANGE TO SUIT FIELD CONDITIONS.
2. THE DESIGNER SHALL NOT BE LIABLE FOR ANY ALTERATION/REVISION ON THE PLANS/DRAWINGS AND SPECIFICATIONS IMPROVED BY THE AUTHORIZED SUPERVISING ENGINEER DONE WITHOUT THEIR KNOWLEDGE THAT MAY IMPAIR STRENGTH OF THE PROJECT.



CALAMBA WATER DISTRICT
ENGINEERING DEPARTMENT
PLANNING AND DESIGN DIVISION

LAKEVIEW SUBD., HALANG, CALAMBA CITY

PROJECT TITLE:
WATER DISTRIBUTION SYSTEM

LOCATION:
Brgy Mayapa, Calamba City

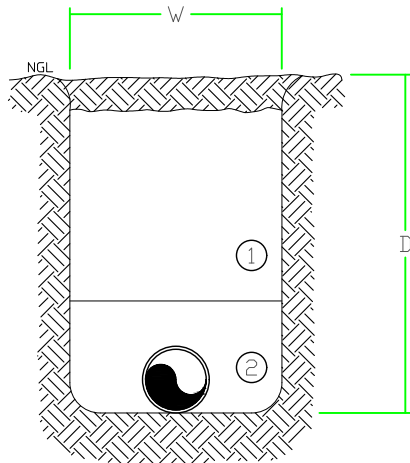
AUTOCAD BY: MR. FERNANDO H. ARELLANO JR.
DESIGNED BY: MR. FERNANDO H. ARELLANO JR.
CHECKED BY: ENGR. RENANTE A. CAPITTE
RECOMMENDED BY: ENGR. JOSELITO A. GILLERA
APPROVED BY: MR. EXEQUIEL A. AGUILAR JR.

SHEET CONTENTS:
AS INDICATED ABOVE

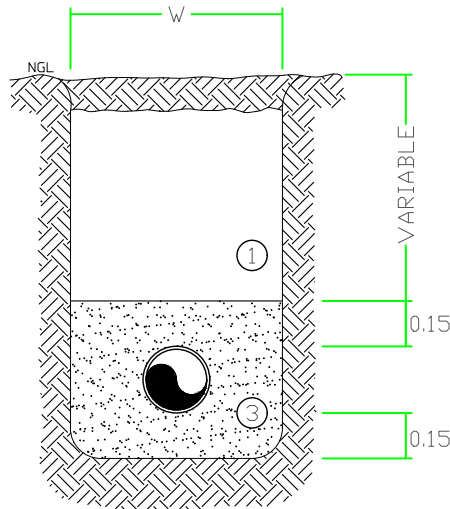
DATE:
4-22-2021
SHEET NO.
MWDS - 2

This design or drawing is the sole property of Calamba Water District. No part of this design or drawing may be reproduced or transmitted in any form or by any means without the written consent of its owner.

This design or drawing is the sole property of Calamba Water District. No part of this design or drawing may be reproduced or transmitted in any form or by any means without the written consent of its owner.



**NORMAL INSTALLATION
WHERE SAND BEDDING
BACKFILL NOT REQUIRED**



**IN ROCK OR WHEN
ORDERED BY ENGINEER**

TYPICAL TRENCH DETAILS
SCALE: NTS


TABLE OF TRENCH DIMENSIONS (IN METERS)			
Pipe Diameter (mm)	Minimum Width (W)	Maximum Width (W)	Depth (D)
50mmø	0.20	0.30	0.60
75mmø	0.20	0.30	0.90
100mmø	0.40	0.70	0.95
150mmø	0.45	0.75	1.00
200mmø	0.50	0.80	1.05
250mmø	0.55	0.85	1.10
300mmø	0.60	0.90	1.15
350mmø	0.65	0.95	1.20
400mmø	0.70	1.00	1.25
450mmø	0.75	1.05	1.30
500mmø	0.80	1.10	1.35
600mmø	0.90	1.20	1.45

LEGEND:

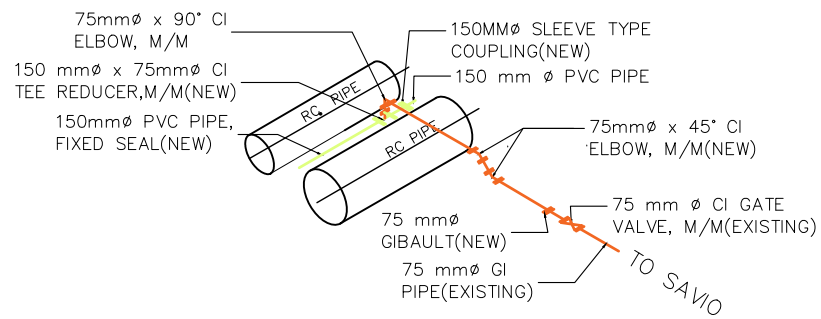
1. COMPACTED SELECTED NATIVE MATERIAL BACKFILL (SEE SPEC.)
2. COMPACTED SELECTED NATIVE MATERIAL IN 0.15 LAYERS (SEE SPEC.)
3. APPROVED SAND BEDDING & BACKFILL HAND PLACED AND COMPACTED.
4. PAYMENT FOR ANY RESURFACING WILL BE BASED ON MAXIMUM TRENCH WIDTHS PER SIZE PIPE SHOWN.

NOTE:

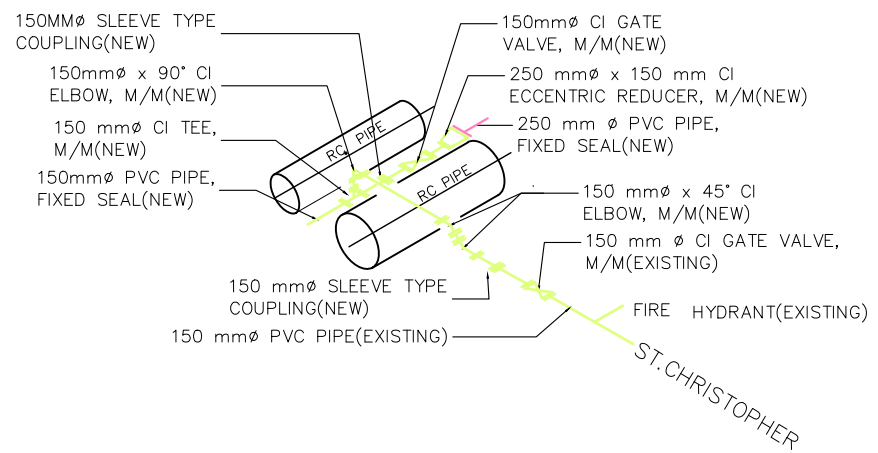
ALL DIMENSIONS IN METERS EXCEPT WHERE OTHERWISE SHOWN.

 CALAMBA WATER DISTRICT ENGINEERING DEPARTMENT PLANNING AND DESIGN DIVISION <small>24/7 Public Service</small>	PROJECT TITLE:	AUTOCAD BY: MR. FERNANDO H. ARELLANO JR.	SHEET CONTENTS:	DATE:
	WATER DISTRIBUTION SYSTEM	DESIGNED BY: MR. FERNANDO H. ARELLANO JR.	AS INDICATED ABOVE	4-22-2021
	LOCATION:	CHECKED BY: ENGR. RENANTE A. CAPITTE		SHEET NO.
	Brgy. Mayapa, Calamba City	RECOMMENDED BY: ENGR. JOSELITO A. GILLERA	SD-1	
		APPROVED BY: MR. EXEQUIEL A. AGUILAR JR.		

This design or drawing is the sole property of Calamba Water District. No part of this design or drawing may be reproduced or transmitted in any form or by any means without the written consent of its owner.




DETAIL B



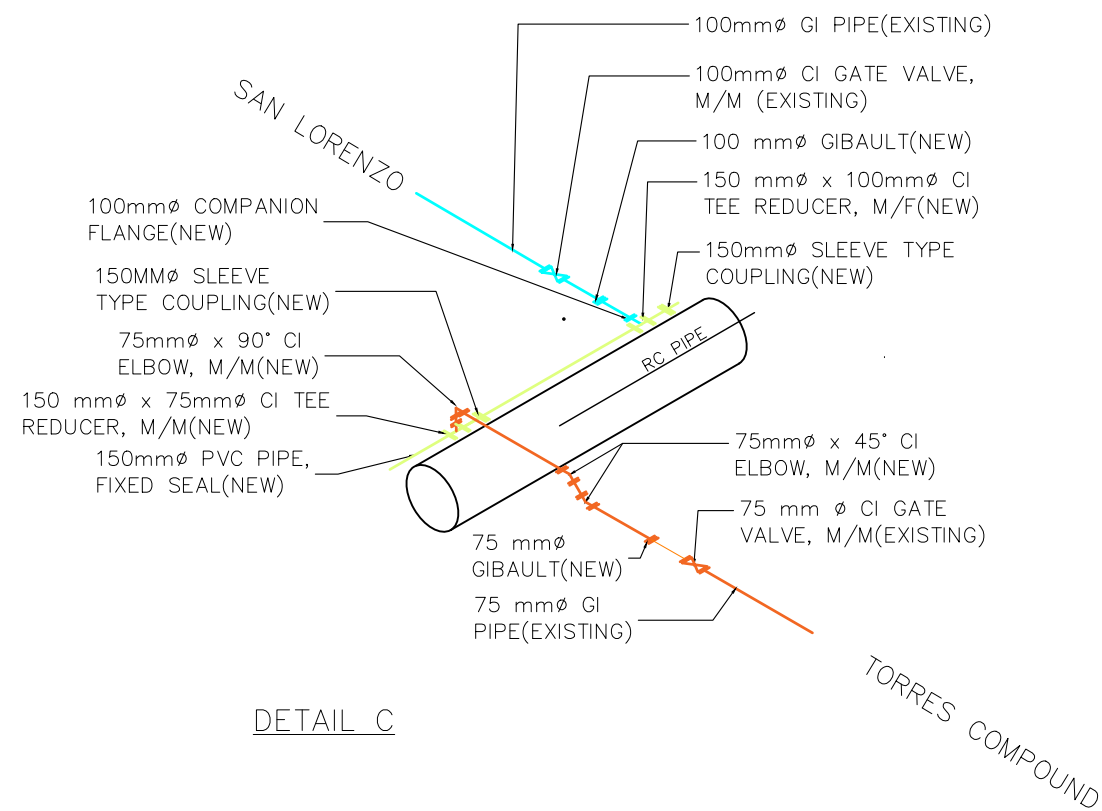
DETAIL A

- NOTES:
1. ALL SIZES AND LOCATION SUBJECT TO CHANGE TO SUIT FIELD CONDITIONS.
 2. THE DESIGNER SHALL NOT BE LIABLE FOR ANY ALTERATION/REVISION ON THE PLANS/DRAWINGS AND SPECIFICATIONS IMPROVED BY THE AUTHORIZED SUPERVISING ENGINEER DONE WITHOUT THEIR KNOWLEDGE THAT MAY IMPAIR STRENGTH OF THE PROJECT.

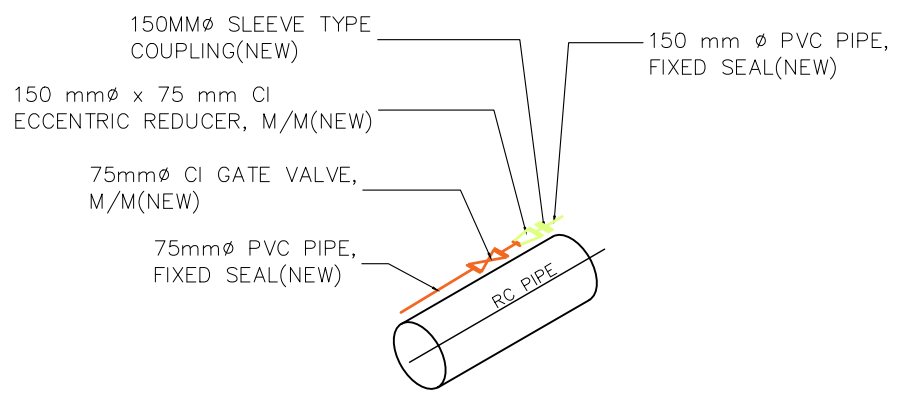
DETAIL DRAWING
SCALE NTS

 <p>CALAMBA WATER DISTRICT ENGINEERING DEPARTMENT PLANNING AND DESIGN DIVISION</p>	PROJECT TITLE:	AUTOCAD BY: MR. FERNANDO H. ARELLANO JR.	SHEET CONTENTS: AS INDICATED ABOVE	DATE:
	WATER DISTRIBUTION SYSTEM	DESIGNED BY: MR. FERNANDO H. ARELLANO JR.		4-22-2021
	LOCATION:	CHECKED BY: ENGR. RENANTE A. CAPITILE		SHEET NO.
	Brgy Mayapa, Calamba City	RECOMMENDED BY: ENGR. JOSELITO A. GILLERA		MWDS - 3
LAKEVIEW SUBD., HALANG, CALAMBA CITY		APPROVED BY: MR. EXEQUIEL A. AGUILAR JR.		

This design or drawing is the sole property of Calamba Water District. No part of this design or drawing may be reproduced or transmitted in any form or by any means without the written consent of its owner.



DETAIL C




DETAIL E

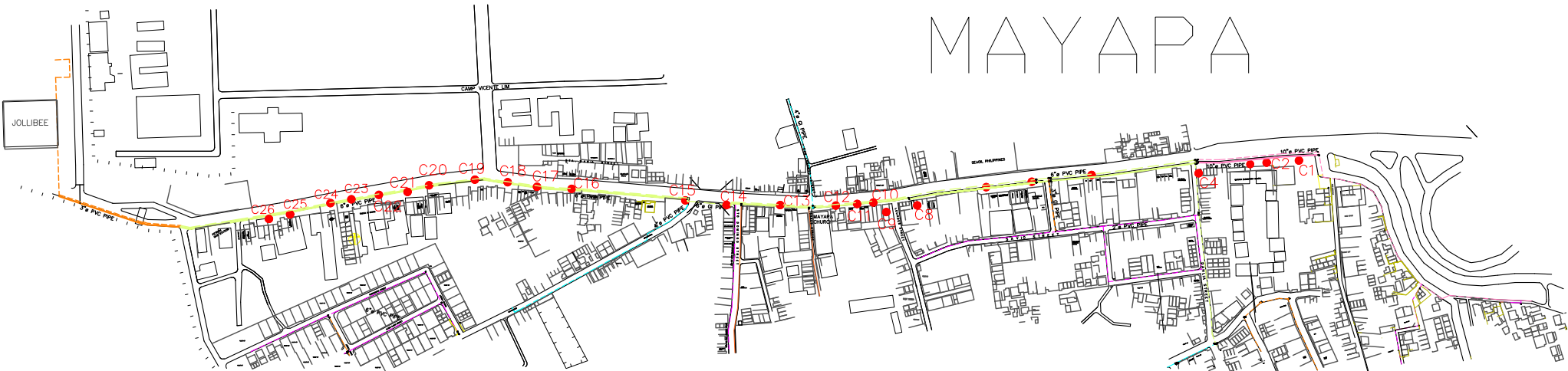
DETAIL DRAWING

SCALE NTS

- NOTES:
 1. ALL SIZES AND LOCATION SUBJECT TO CHANGE TO SUIT FIELD CONDITIONS.
 2. THE DESIGNER SHALL NOT BE LIABLE FOR ANY ALTERATION/REVISION ON THE PLANS/DRAWINGS AND SPECIFICATIONS IMPROVED BY THE AUTHORIZED SUPERVISING ENGINEER DONE WITHOUT THEIR KNOWLEDGE THAT MAY IMPAIR STRENGTH OF THE PROJECT.

 <p>CALAMBA WATER DISTRICT ENGINEERING DEPARTMENT PLANNING AND DESIGN DIVISION</p>	PROJECT TITLE:	AUTOCAD BY: MR. FERNANDO H. ARELLANO JR.	SHEET CONTENTS:	DATE:
	WATER DISTRIBUTION SYSTEM	DESIGNED BY: MR. FERNANDO H. ARELLANO JR.	AS INDICATED ABOVE	4-22-2021
	LOCATION:	CHECKED BY: ENGR. RENANTE A. CAPITILE		SHEET NO.
	Brgy Mayapa, Calamba City	RECOMMENDED BY: ENGR. JOSELITO A. GILLERA		MWDS - 4
LAKEVIEW SUBD., HALANG, CALAMBA CITY	APPROVED BY: MR. EXEQUIEL A. AGUILAR JR.			


This design or drawing is the sole property of Calamba Water District. No part of this design or drawing may be reproduced or transmitted in any form or by any means without the written consent of its owner.



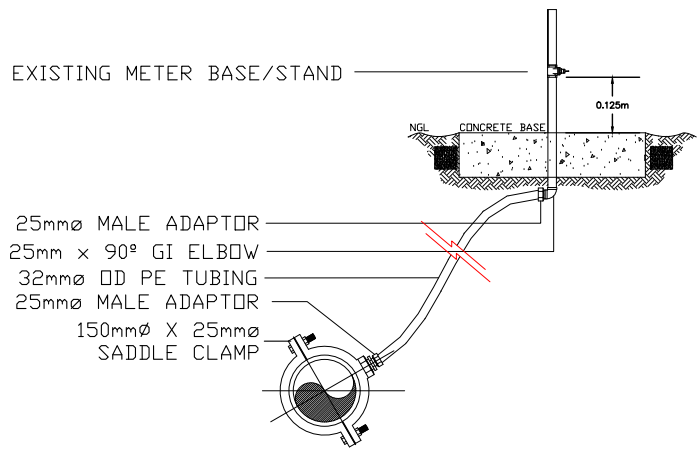
CLUSTER PLAN
SCALE NTS

- NOTES:
 1. ALL SIZES AND LOCATION SUBJECT TO CHANGE TO SUIT FIELD CONDITIONS.
 2. THE DESIGNER SHALL NOT BE LIABLE FOR ANY ALTERATION/REVISION ON THE PLANS/DRAWINGS AND SPECIFICATIONS IMPROVED BY THE AUTHORIZED SUPERVISING ENGINEER DONE WITHOUT THEIR KNOWLEDGE THAT MAY IMPAIR STRENGTH OF THE PROJECT.

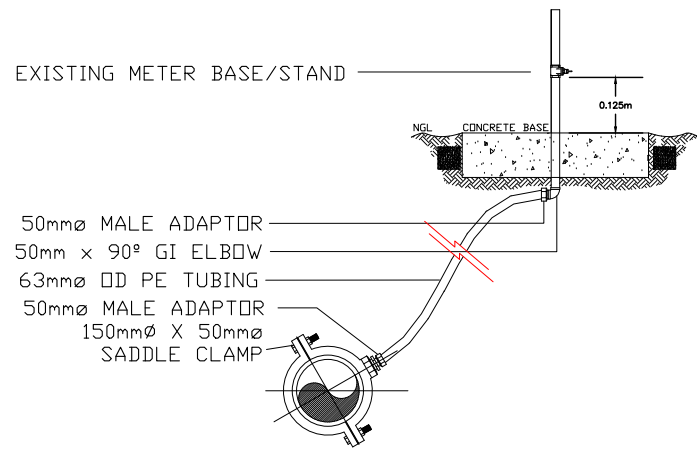
MEASUREMENT:
 63mm OD PE TUBING(57.2 LM EST.)
 32mm OD PE TUBING(43.89 LM EST.)
 25mm OD PE TUBING(40.7 LM EST.)

 CALAMBA WATER DISTRICT ENGINEERING DEPARTMENT PLANNING AND DESIGN DIVISION 24/7 Public Service	PROJECT TITLE:	AUTOCAD BY: MR. FERNANDO H. ARELLANO JR.	SHEET CONTENTS:	DATE:
	WATER DISTRIBUTION SYSTEM	DESIGNED BY: MR. FERNANDO H. ARELLANO JR.	AS INDICATED ABOVE	4-22-2021
	LOCATION:	CHECKED BY: ENGR. RENANTE A. CAPITALE		SHEET NO.
	LAKEVIEW SUBD., HALANG, CALAMBA CITY	RECOMMENDED BY: ENGR. JOSELITO A. GILLERA	MWDS - 6	
Brgy Mayapa, Calamba City	APPROVED BY: MR. EXEQUIEL A. AGUILAR JR.			

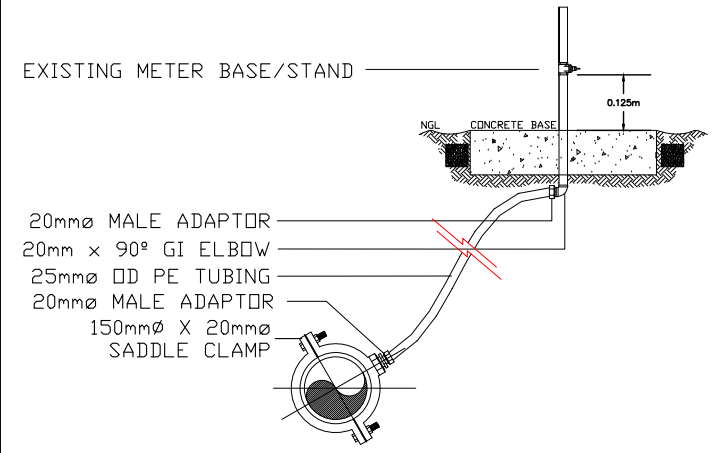
This design or drawing is the sole property of Calamba Water District. No part of this design or drawing may be reproduced or transmitted in any form or by any means without the written consent of its owner.



C5, C9, C10, C11,
C16, C17, C23 & C25



C6, C7, C8,
C12, C22 & C24



C13, C15, C18, C19
C20, C21 & C26



CALAMBA WATER DISTRICT
ENGINEERING DEPARTMENT
PLANNING AND DESIGN DIVISION

LAKEVIEW SUBD., HALANG, CALAMBA CITY

PROJECT TITLE:
WATER DISTRIBUTION SYSTEM

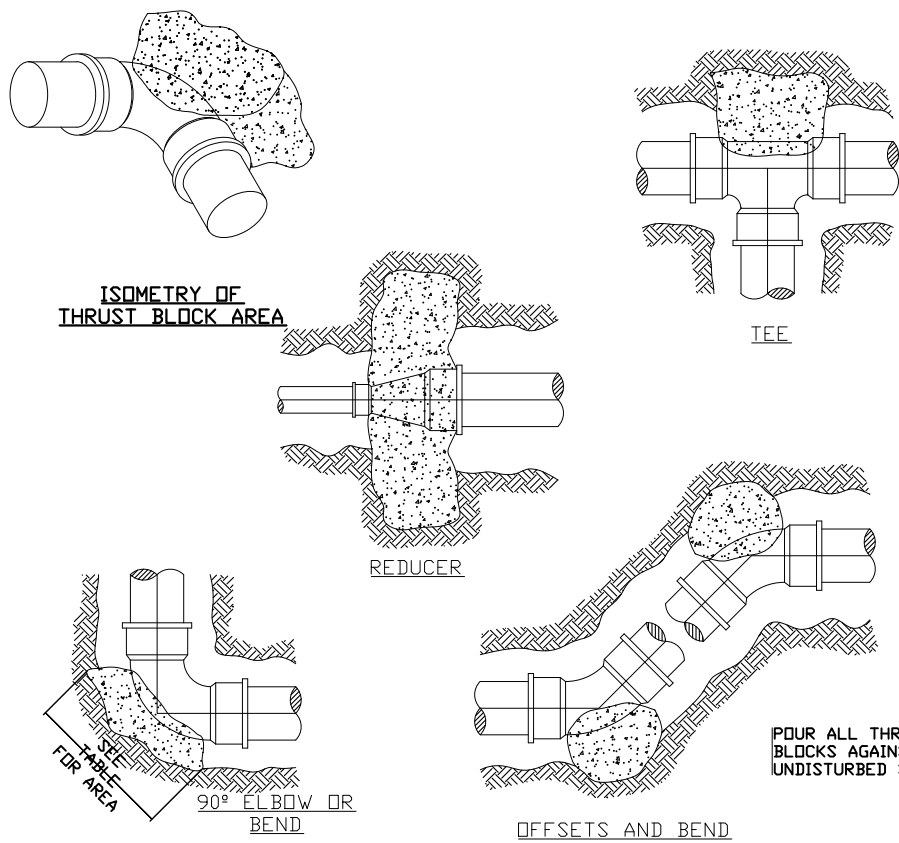
LOCATION:
Brgy Mayapa, Calamba City

AUTOCAD BY: MR. FERNANDO H. ARELLANO JR.
DESIGNED BY: MR. FERNANDO H. ARELLANO JR.
CHECKED BY: ENGR. RENANTE A. CAPITTE
RECOMMENDED BY: ENGR. JOSELITO A. GILLERA
APPROVED BY: MR. EXEQUIEL A. AGUILAR JR.

SHEET CONTENTS:
AS INDICATED ABOVE

DATE:
4-22-2021

SHEET NO.
MWDS - 7

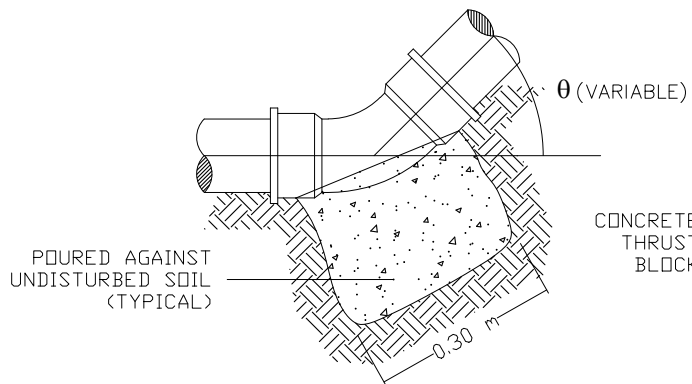
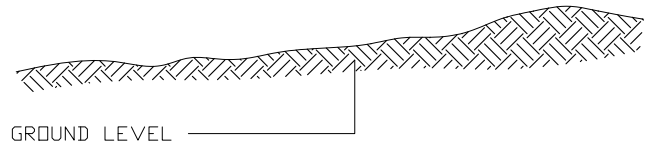


PIPE SIZE (mm)	TEE & DEAD END	90° BEND	45° BEND	22½° BEND
75	0.05	0.07	0.04	0.02
100	0.09	0.12	0.07	0.04
150	0.20	0.28	0.15	0.08
200	0.35	0.50	0.27	0.14
250	0.55	0.77	0.42	0.21
300	0.79	1.11	0.60	0.31
350	1.07	1.52	0.82	0.42
400	1.4	1.98	1.07	0.55
450	1.77	2.51	1.36	0.69
500	2.19	3.1	1.68	0.85
600	3.15	4.46	2.42	1.23

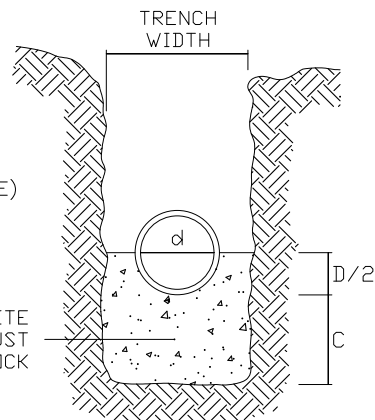
- NOTES:
1. ABOVE AREAS BASED ON AN ASSUMED SOIL BEARING PRESSURE OF 96 kPa (2000 psf).
 2. REDUCE OR INCREASE AREAS PROPORTIONATELY TO SUIT ACTUAL FIELD CONDITIONS UPON APPROVAL OF ENGINEER.
 3. CONCRETE FOR THRUST BLOCK SHALL BE 13.8 MPa (2000 psi).
 4. ALL CONCRETE SHALL BE POURED TO AVOID INTERFERENCE WITH JOINTS.
 5. THRUST BLOCKS NOT REQUIRED ON STEEL PIPELINE WITH WELDED OF FLANGE JOINTS OR ON SOLVENT WELDED PVC PIPE.
 6. WHERE PIPE CONNECTS TO A FITTING IN STEEL PIPELINE SHALL BE BLOCKED AS SHOWN HEREON.
 7. BEARING AREAS BASED ON INTERNAL PRESSURE OF 106m (150psi).

HORIZONTAL CONCRETE THRUST BLOCK DETAILS
SCALE: NTS

<p>CALAMBA WATER DISTRICT ENGINEERING DEPARTMENT PLANNING AND DESIGN DIVISION</p> <p>24/7 Public Service</p> <p>LAKEVIEW SUBD., HALANG, CALAMBA CITY</p>	PROJECT TITLE:	AUTOCAD BY: MR. FERNANDO H. ARELLANO JR.	SHEET CONTENTS:	DATE:
	WATER DISTRIBUTION SYSTEM	DESIGNED BY: MR. FERNANDO H. ARELLANO JR.	AS INDICATED ABOVE	4-22-2021
	LOCATION:	CHECKED BY: ENGR. RENANTE A. CAPITILE		SHEET NO.
	Brgy. Mayapa, Calamba City	RECOMMENDED BY: ENGR. JOSELITO A. GILLERA		SD-2
	APPROVED BY: MR. EXEQUIEL A. AGUILAR JR.			



ELEVATION



SECTION

TABLE OF MINIMUM THRUST BLOCK DIMENSIONS FOR PIPE SIZES 75mmø TO 600mmø				
PIPE SIZE	"C"	THRUST BLOCK BEARING AREAS IN SQ. M.		
		90° BEND	45° BEND	22½° BEND
75 & 100	0.25	0.14	0.12	*
150	0.25	0.31	0.17	0.12
200	0.25	0.54	0.30	0.15
250	0.25	0.85	0.46	0.24
300	0.30	1.23	0.66	0.34
350	0.30	1.67	0.90	0.46
400	0.30	2.18	1.18	0.60
450	0.35	2.76	1.49	0.76
500	0.35	3.41	1.84	0.94
600	0.40	4.91	2.65	1.35

* - THRUST BLOCK NOT REQUIRED

NOTES:

1. ABOVE AREAS BASED ON AN ASSUMED SOIL BEARING PRESSURE 96 kPa (2000 psf).
2. REDUCE OR INCREASE AREAS PROPORTIONATELY TO SUIT ACTUAL FIELD CONDITIONS UPON APPROVAL OF ENGINEER.
3. CONCRETE FOR THRUST BLOCK SHALL BE 13.8 MPa (2000 psi).
4. THRUST BLOCKS NOT REQUIRED ON STEEL PIPELINES WITH WELDED OR FLANGED JOINTS OR ON SOLVENT WELDED PVC PIPE.
5. WHERE PIPE CONNECTS TO A FITTING ON A STEEL PIPE LINE THE STEEL PIPELINE SHALL BE BLOCKED AS SHOWN HEREON.
6. BEARING AREAS BASED ON INTERNAL PRESSURE OF 106 m (150 psi).

VERTICAL CONCRETE THRUST BLOCKS (DOWNWARD THRUST)



CALAMBA WATER DISTRICT
ENGINEERING DEPARTMENT
PLANNING AND DESIGN DIVISION

LAKEVIEW SUBD., HALANG, CALAMBA CITY

PROJECT TITLE:
REPLACEMENT OF WATERLINES

LOCATION:
National road, Brgy. Mayapa, Calamba City

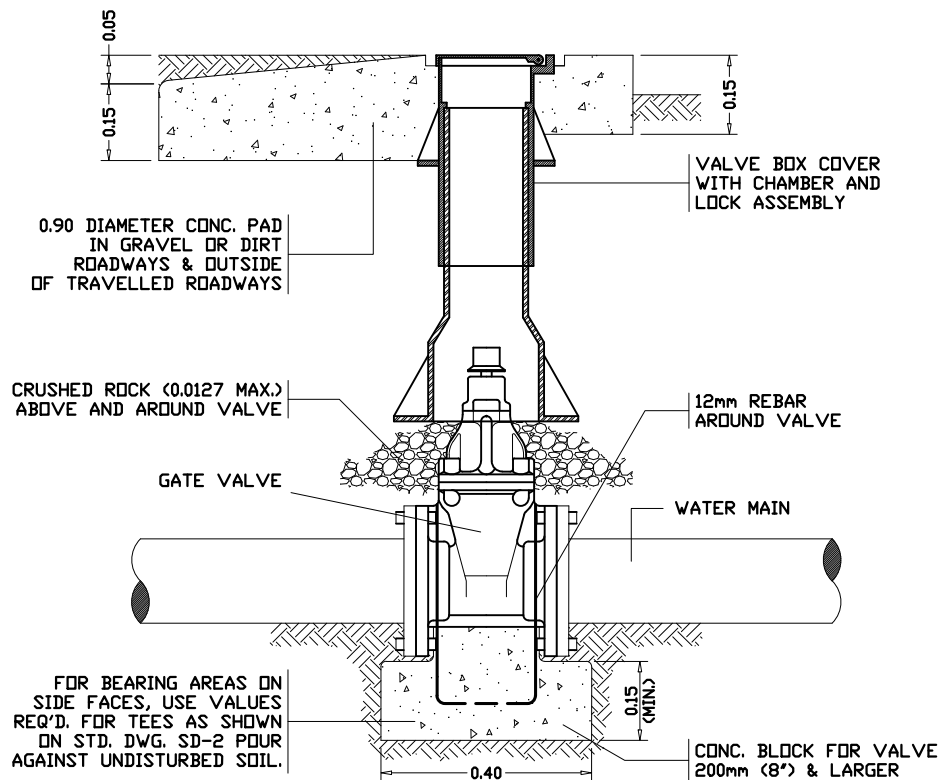
AUTOCAD BY: MR. FERNANDO H. ARELLANO JR.
DESIGNED BY: MR. FERNANDO H. ARELLANO JR.
CHECKED BY: ENGR. RENANTE A. CAPITILE
RECOMMENDED BY: ENGR. JOSELITO A. GILLERA
APPROVED BY: MR. EXEQUIEL AGUILAR JR.

SHEET CONTENTS:
AS INDICATED ABOVE

DATE:
4-22-2021

SHEET NO.
SD-3

This design or drawing is the sole property of Calamba Water District. No part of this design or drawing may be reproduced or transmitted in any form or by any means without the written consent of its owner.



NOTES:

1. ALL DIMENSIONS IN METERS UNLESS OTHERWISE SHOWN. VALVES SHALL HAVE A MINIMUM COVER OF 0.30 m. MEASURED TO THE TOP OF THE OPERATING NUT.
2. VALVES SHALL BE INSTALLED ON EXTENSIONS OF PROPERTY LINES EXCEPT WHERE OTHERWISE SHOWN OR SPECIFIED.
3. USE FLANGED END GATE VALVES ON STEEL AND PVC PIPE LINE INSTALLATION.
4. CAST IRON OR STEEL COVER SHALL BE ADEQUATELY DESIGNED TO CARRY TRAFFIC LOADS.
5. CONCRETE BLOCK MAY BE OMITTED ON WELDED STEEL PIPE LINES AT OPTION OF CONTRACTOR.

INSTALLATION OF BURIED GATE VALVE

SCALE:

NTS



CALAMBA WATER DISTRICT
ENGINEERING DEPARTMENT
PLANNING AND DESIGN DIVISION

24/7 Public Service
LAKEVIEW SUBD., HALANG, CALAMBA CITY

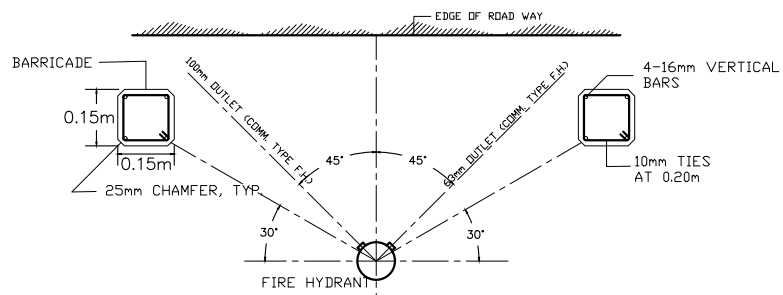
PROJECT TITLE:
WATER DISTRIBUTION SYSTEM
LOCATION:
Brgy. Mayapa, Calamba City

AUTOCAD BY: MR. FERNANDO H. ARELLANO JR.
DESIGNED BY: MR. FERNANDO H. ARELLANO JR.
CHECKED BY: ENGR. RENANTE A. CAPITILE
RECOMMENDED BY: ENGR. JOSELITO A. GILLERA
APPROVED BY: MR. EXEQUIEL A. AGUILAR JR.

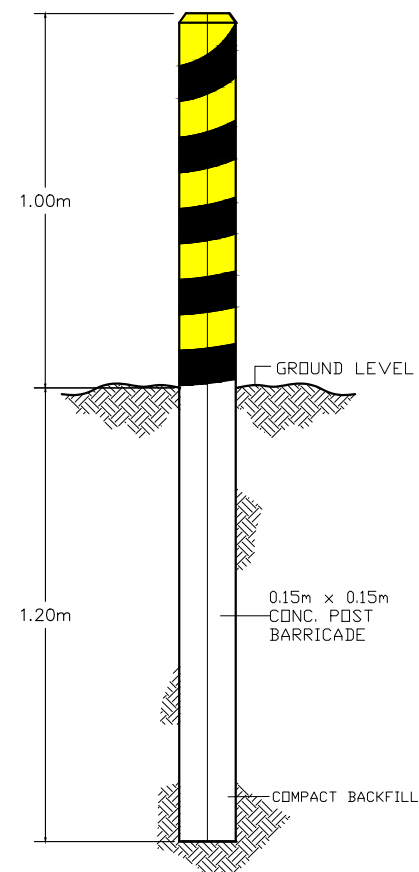
SHEET CONTENTS:
AS INDICATED ABOVE

DATE:
4-22-2021
SHEET NO.
SD-4

This design or drawing is the sole property of Calamba Water District. No part of this design or drawing may be reproduced or transmitted in any form or by any means without the written consent of its owner.



PLAN FOR SETTING BARRICADE



ELEV. OF CONC. BARRICADE



CALAMBA WATER DISTRICT
ENGINEERING DEPARTMENT
PLANNING AND DESIGN DIVISION

LAKEVIEW SUBD., HALANG, CALAMBA CITY

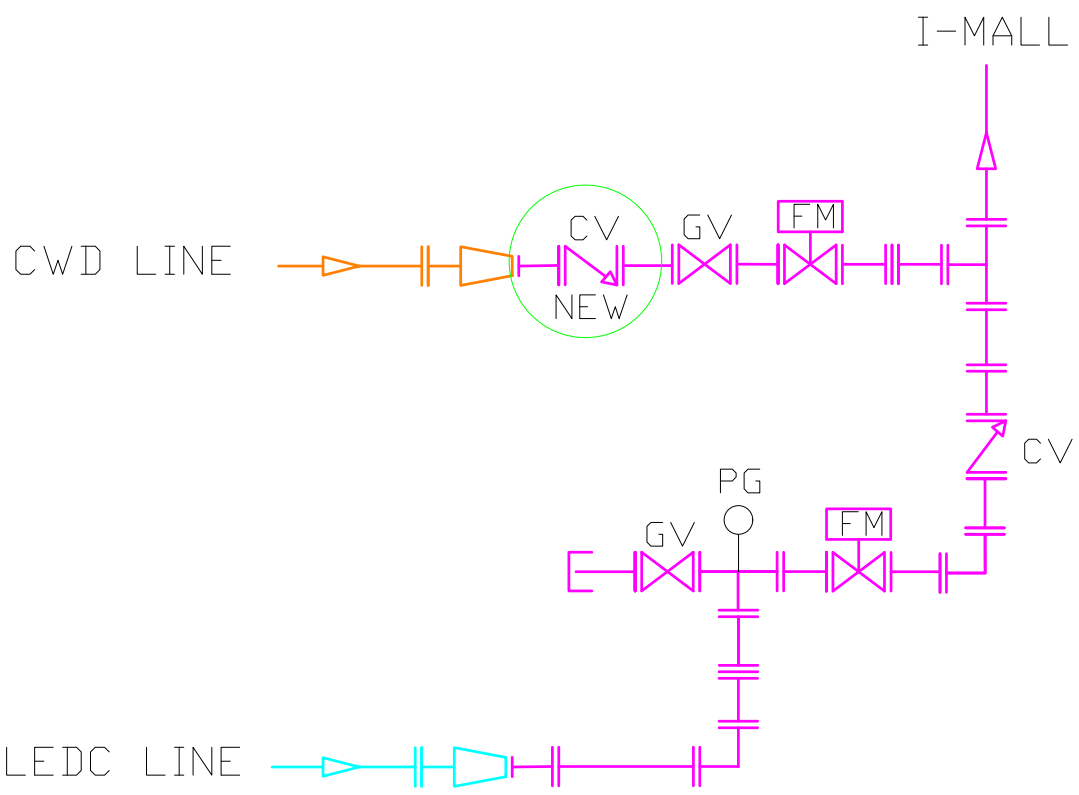
PROJECT TITLE:
WATER DISTRIBUTION SYSTEM
LOCATION:
Brgy. Mayapa, Calamba City

AUTOCAD BY: MR. FERNANDO H. ARELLANO JR.
DESIGNED BY: MR. FERNANDO H. ARELLANO JR.
CHECKED BY: ENGR. RENANTE A. CAPITILE
RECOMMENDED BY: ENGR. JOSELITO A. GILLERA
APPROVED BY: MR. EXEQUIEL AGUILAR JR.

SHEET CONTENTS:
AS INDICATED ABOVE

DATE:
4-22-2021
SHEET NO.
SD-9


This design or drawing is the sole property of Calamba Water District. No part of this design or drawing may be reproduced or transmitted in any form or by any means without the written consent of its owner.



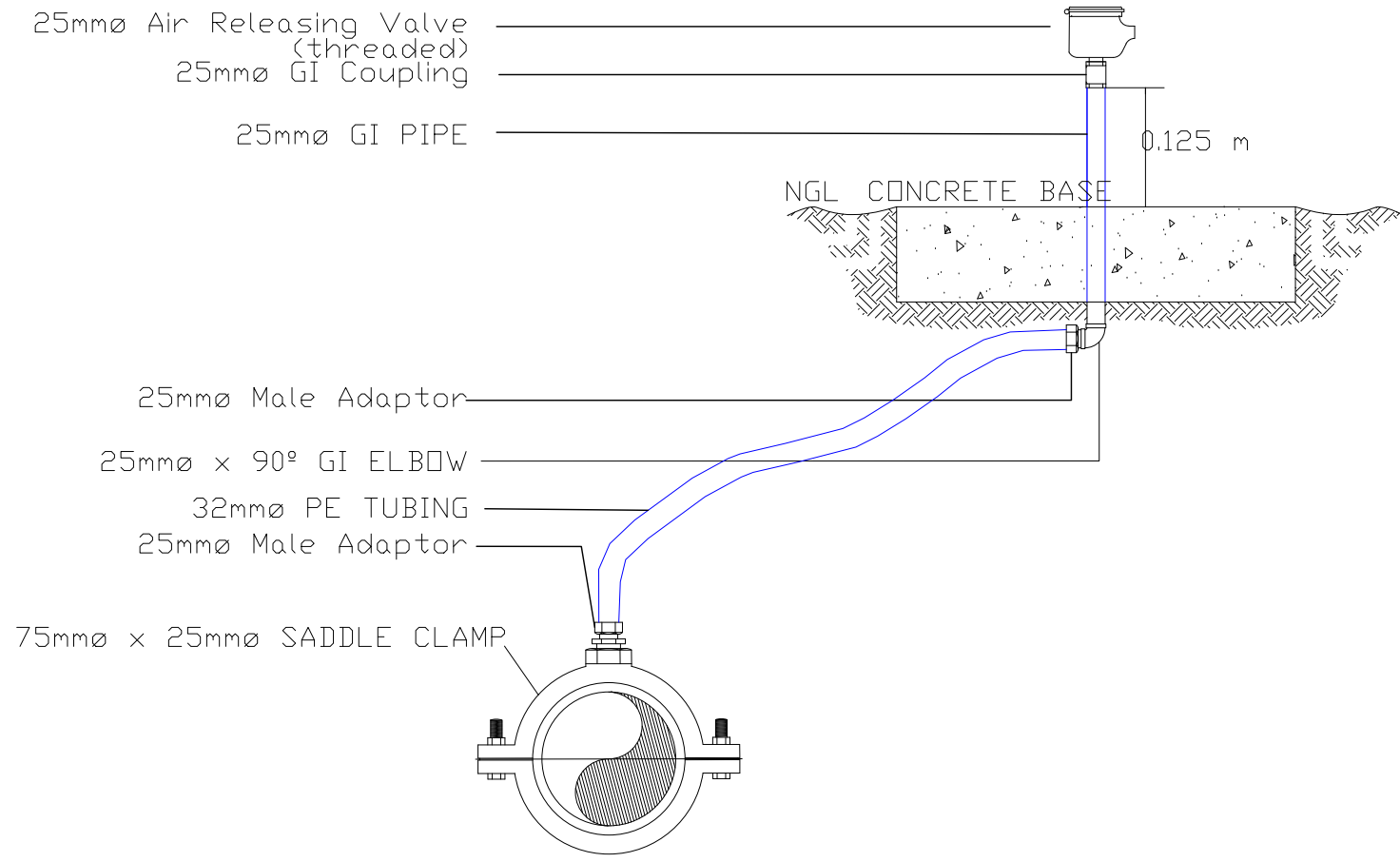
LEGEND:

- 100mmØ PVC pipe(Existing)
- 75mmØ PVC pipe(Existing)
- 50mmØ PVC pipe(New)
- GV Gate valve(Existing)
- CV Check valve
- FM Flow Meter(Existing)
- PG Pressure gauge(Existing)

I-MALL METERING SYSTEM
SCALE NTS

 CALAMBA WATER DISTRICT ENGINEERING DEPARTMENT PLANNING AND DESIGN DIVISION	PROJECT TITLE:	AUTOCAD BY: MR. FERNANDO H. ARELLANO JR.	SHEET CONTENTS:	DATE:
	WATER DISTRIBUTION SYSTEM	DESIGNED BY: MR. FERNANDO H. ARELLANO JR.	AS INDICATED ABOVE	4-22-2021
	LOCATION:	CHECKED BY: ENGR. RENANTE A. CAPITILE		SHEET NO.
	LAKEVIEW SUBD., HALANG, CALAMBA CITY	RECOMMENDED BY: ENGR. JOSELITO A. GILLERA		MWDS - 10
	Brgy Mayapa, Calamba City	APPROVED BY: MR. EXEQUIEL AGUILAR JR.		

This design or drawing is the sole property of Calamba Water District. No part of this design or drawing may be reproduced or transmitted in any form or by any means without the written consent of its owner.




75mmø x 25mmø SADDLE CLAMP

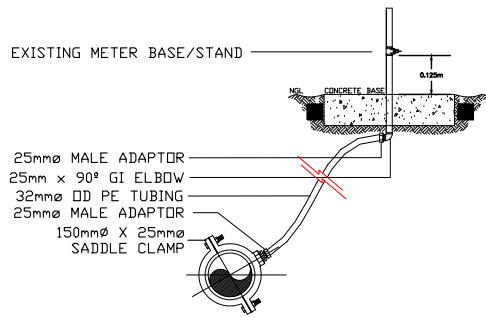
- NOTES:
1. ALL SIZES AND LOCATION SUBJECT TO CHANGE TO SUIT FIELD CONDITIONS.
 2. THE DESIGNER SHALL NOT BE LIABLE FOR ANY ALTERATION/REVISION ON THE PLANS/DRAWINGS AND SPECIFICATIONS IMPROVED BY THE AUTHORIZED SUPERVISING ENGINEER DONE WITHOUT THEIR KNOWLEDGE THAT MAY IMPAIR STRENGTH OF THE PROJECT.

ARV ASSEMBLY PLAN

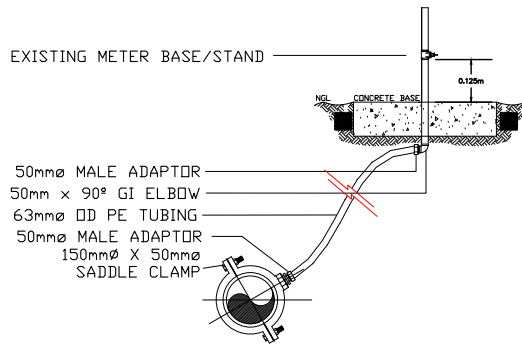
SCALE: NTS

 CALAMBA WATER DISTRICT ENGINEERING DEPARTMENT PLANNING AND DESIGN DIVISION	PROJECT TITLE:	AUTOCAD BY: MR. FERNANDO H. ARELLANO JR.	SHEET CONTENTS:
	WATER DISTRIBUTION SYSTEM	DESIGNED BY: MR. FERNANDO H. ARELLANO JR.	AS INDICATED ABOVE
	LOCATION:	CHECKED BY: ENGR. RENANTE A. CAPITALE	
	LAKEVIEW SUBD., HALANG, CALAMBA CITY	RECOMMENDED BY: ENGR. JOSELITO A. GILLERA	
	Brgy Mayapa, Calamba City	APPROVED BY: MR. EXEQUIEL A. AGUILAR JR.	DATE: 4-22-2021
			SHEET NO. MWDS - 9

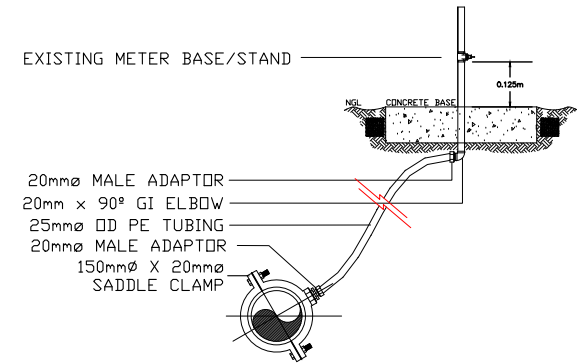
This design or drawing is the sole property of Calamba Water District. No part of this design or drawing may be reproduced or transmitted in any form or by any means without the written consent of its owner.



C5, C9, C10, C11,
C16, C17, C23 & C25



C6, C7, C8,
C12, C22 & C24



C13, C15, C18, C19
C20, C21 & C26



CALAMBA WATER DISTRICT
ENGINEERING DEPARTMENT
PLANNING AND DESIGN DIVISION

347 Public Service

LAKEVIEW SUBD., HALANG, CALAMBA CITY

PROJECT TITLE:
WATER DISTRIBUTION SYSTEM

LOCATION:
Brgy. Mayapa, Calamba City

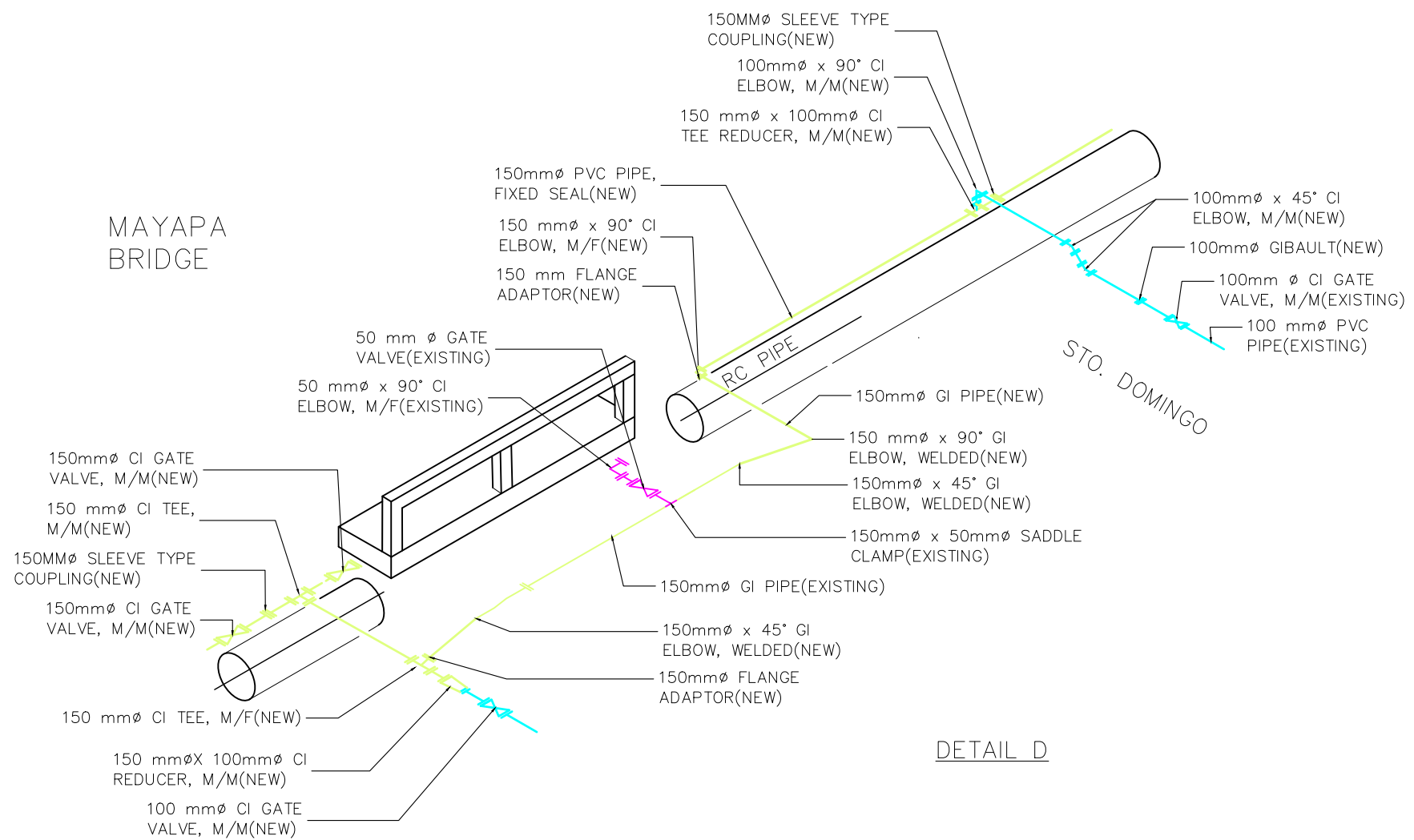
AUTOCAD BY: MR. FERNANDO H. ARELLANO JR.
DESIGNED BY: MR. FERNANDO H. ARELLANO JR.
CHECKED BY: ENGR. RENANTE A. CAPITILE
RECOMMENDED BY: ENGR. JOSELITO A. GILLERA
APPROVED BY: MR. EXEQUIEL A. AGUILAR JR.

SHEET CONTENTS:

CLUSTER DETAILS

DATE:
4-22-2021
SHEET NO.
MWDS-7

This design or drawing is the sole property of Calamba Water District. No part of this design or drawing may be reproduced or transmitted in any form or by any means without the written consent of its owner.



DETAIL D

DETAIL DRAWING
SCALE NTS

- NOTES:**
 1. ALL SIZES AND LOCATION SUBJECT TO CHANGE TO SUIT FIELD CONDITIONS.
 2. THE DESIGNER SHALL NOT BE LIABLE FOR ANY ALTERATION/REVISION ON THE PLANS/DRAWINGS AND SPECIFICATIONS IMPROVED BY THE AUTHORIZED SUPERVISING ENGINEER DONE WITHOUT THEIR KNOWLEDGE THAT MAY IMPAIR STRENGTH OF THE PROJECT.

CALAMBA WATER DISTRICT
 ENGINEERING DEPARTMENT
 PLANNING AND DESIGN DIVISION

LAKEVIEW SUBD., HALANG, CALAMBA CITY

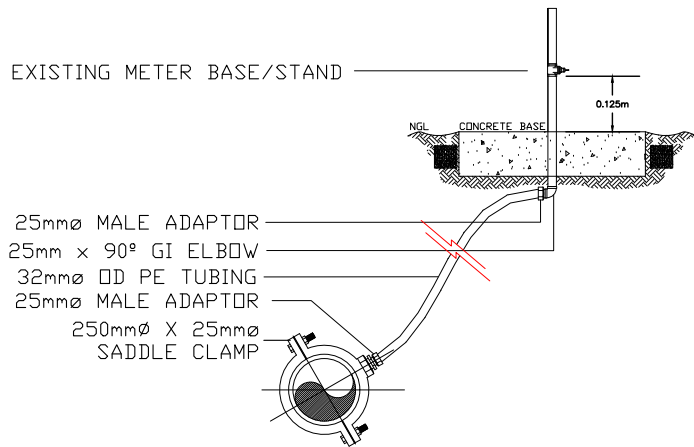
PROJECT TITLE:	WATER DISTRIBUTION SYSTEM
LOCATION:	Brgy Mayapa, Calamba City

AUTOCAD BY:	MR. FERNANDO H. ARELLANO JR.
DESIGNED BY:	MR. FERNANDO H. ARELLANO JR.
CHECKED BY:	ENGR. RENANTE A. CAPITTE
RECOMMENDED BY:	ENGR. JOSELITO A. GILLERA
APPROVED BY:	MR. EXEQUIEL AGUILAR JR.

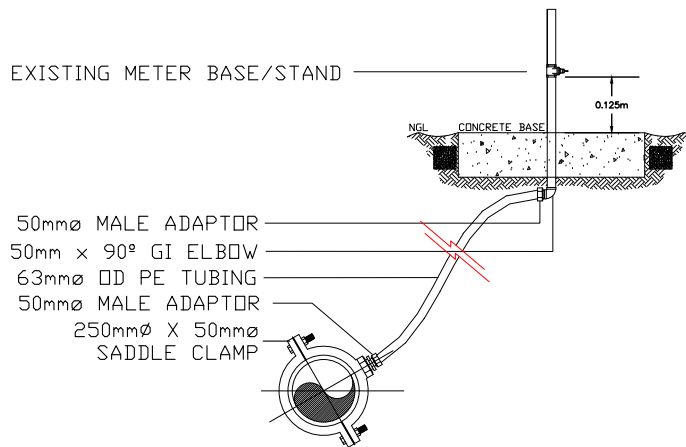
SHEET CONTENTS:	AS INDICATED ABOVE
------------------------	--------------------

DATE:	4-22-2021
SHEET NO.	MWDS - 5

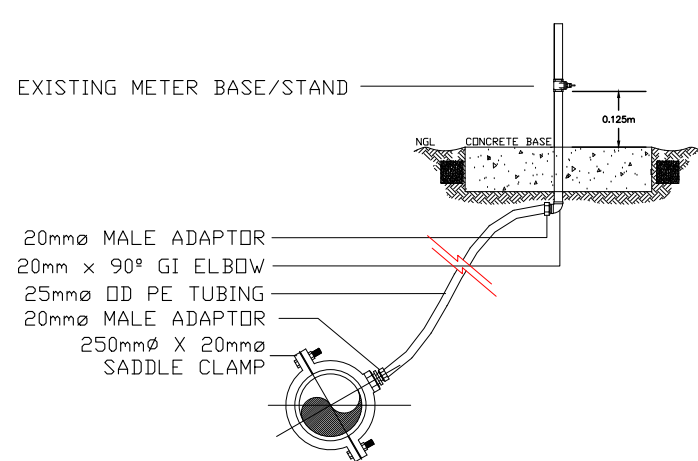
This design or drawing is the sole property of Calamba Water District. No part of this design or drawing may be reproduced or transmitted in any form or by any means without the written consent of its owner.



C1



C2 & C4



C3

CALAMBA WATER DISTRICT
ENGINEERING DEPARTMENT
PLANNING AND DESIGN DIVISION

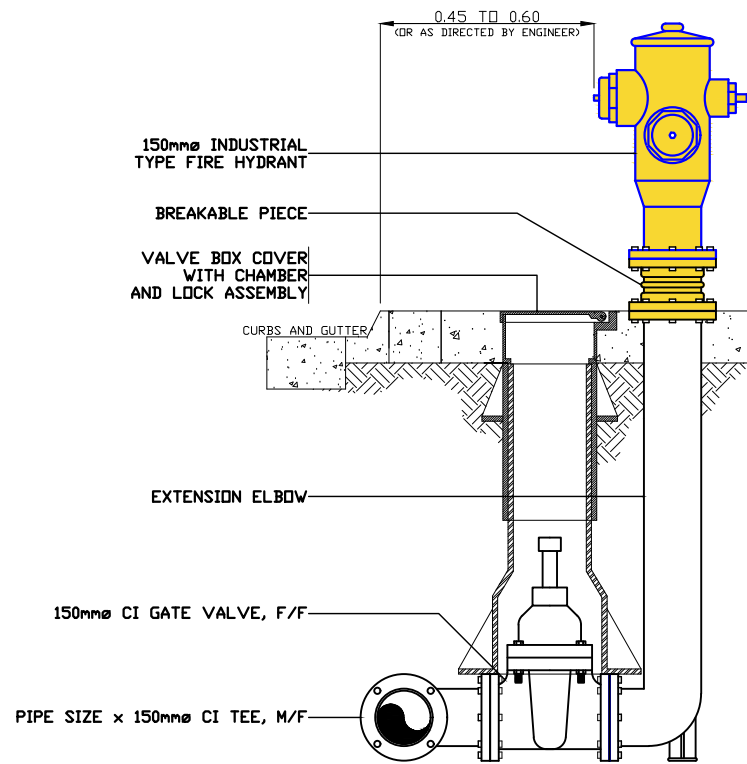
LAKEVIEW SUBD., HALANG, CALAMBA CITY

PROJECT TITLE:	WATER DISTRIBUTION SYSTEM
LOCATION:	Brgy Mayapa, Calamba City

AUTOCAD BY:	MR. FERNANDO H. ARELLANO JR.
DESIGNED BY:	MR. FERNANDO H. ARELLANO JR.
CHECKED BY:	ENGR. RENANTE A. CAPITILE
RECOMMENDED BY:	ENGR. JOSELITO A. GILLERA
APPROVED BY:	MR. EXEQUIEL AGUILAR JR.

SHEET CONTENTS:	DATE:
CLUSTER DETAILS	4-22-2021
	SHEET NO.
	MWDS - 8

This design or drawing is the sole property of Calamba Water District. No part of this design or drawing may be reproduced or transmitted in any form or by any means without the written consent of its owner.



NOTES:

1. ALL DIMENSIONS ARE IN METERS EXCEPT WHERE OTHERWISE SHOWN.

2. WHERE NO CURBS OR GUTTERS EXIST, THE HYDRANTS SHALL BE LOCATED WITHIN 1.50m OF THE ROAD RIGHT-OF-WAY OR AS DIRECTED BY THE ENGINEER & BARRICADES SHALL BE INSTALLED AS PER STANDARD DRAWING SD-9.

3. HYDRANTS AT INTERSECTIONS SHALL BE AT THE CURB RETURN. OTHER THAN STREET INTERSECTIONS, HYDRANTS SHALL BE INSTALLED ON LOT LINES.

4. HYDRANTS SHALL BE PAINTED IN ACCORDANCE WITH THE SPECIFICATIONS. COLOR SHALL BE YELLOW UNLESS OTHERWISE DIRECTED BY THE OWNER.

FIRE HYDRANT ASSEMBLY

SCALE : NTS



CALAMBA WATER DISTRICT
ENGINEERING DEPARTMENT
PLANNING AND DESIGN DIVISION

LAKEVIEW SUBD., HALANG, CALAMBA CITY

PROJECT TITLE:

WATER DISTRIBUTION SYSTEM

LOCATION:

Brgy Mayapa, Calamba City

AUTOCAD BY: MR. FERNANDO H. ARELLANO JR.

DESIGNED BY: MR. FERNANDO H. ARELLANO JR.

CHECKED BY: ENGR. RENANTE A. CAPITL

RECOMMENDED BY: ENGR. JOSELITO A. GILLERA

APPROVED BY: MR. EXEQUIEL A. AGUILAR JR.

SHEET CONTENTS:

AS INDICATED ABOVE

DATE:

4-22-2021

SHEET NO.

SD-7